

# fliX Live Classic

## Manual

Read carefully before using fliX Live. Any questions? Please contact us: +49 – (0)421 – 794 25 45 or [info@fliX.eu](mailto:info@fliX.eu).

## Contents

Scope of delivery.....	2
Technical Data .....	2
fliX Live set up & adjustment.....	3
LED-lighting.....	4
Scales.....	4
Power supply .....	5
Wings .....	6
Horizontally wing .....	7
Tilted Wing.....	8
Fold in the wing .....	8
Loading capacity .....	9
Additional weights .....	9
Accessories to insert into the wing.....	10
GN chopping station .....	10
Knife holder.....	10
Stoves & grills.....	11
Gas connection .....	13
Tool holder .....	14
Cutlery holder .....	14
fliX Live in the rain .....	14
Differences Classic - Camper .....	15

## Scope of delivery

- Live Classic with 3 wings with 3 table boards (turn the wing into a table)
- Belt webbing (version 2 wheels, 2 adjustable feet)
- Colour controllable lighting & remote control
- GN chopping station with 6 boxes and lids
- Built-in scales
- Spice station with 12 stainless steel jars
- Clip-on cutlery holder
- Station for oil & vinegar
- Cooking utensil holder & 4 hooks
- 4 x porcelain plate „Event“ from Schönwald & 4 stainless steel-brackets for placing plates horizontally on the tilted wing
- GN charcoal grill OR
- 2-Burner electric stove OR
- 2-Burner gas stove\*

Against surcharge:

- 2-Burner induction stove
- GN gas grill\*
- More stoves / grills on request

\*Gas stoves without gas bottle

## Technical Data

L x W x H: 45 x 45 x 100 cm

Weight without devices, with additional weights in the base:

**65 kg.**

Weight without devices, without additional weights in the base:

**45 kg.**

## Set up & adjustment

Live Classic is available in 2 versions:



1. Live Classic with **4 wheels**, for the use on more or less flat surfaces. Each wheel is equipped with a brake.

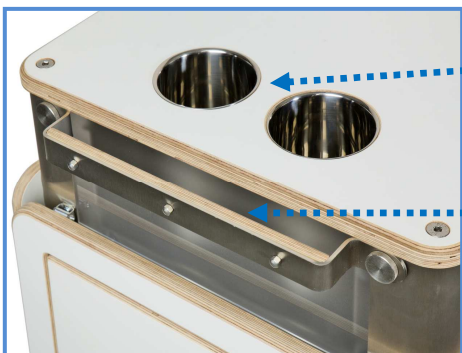


2. Live Classic with **2 wheels** and **2 adjustable feet**, for the use on rough surfaces like the garden etc.). The adjustable feet can be adjusted by hand.



### Water level:

The water level allows you to exactly adjust the kitchen.



**Moving Live Classic (version 2 wheels / 2 feet):** Take out the two stainless steel containers. The two cutouts can be used as a handle, Live Classic can be moved like a sack barrow. To fix the wings while doing this, please use the belt webbing.

**Optionally:** Handle, it can be fixed like the cooking utensil holder (page [14](#)).

## LED-lighting

The colour controllable lighting is controlled by remote. There you'll find different buttons:

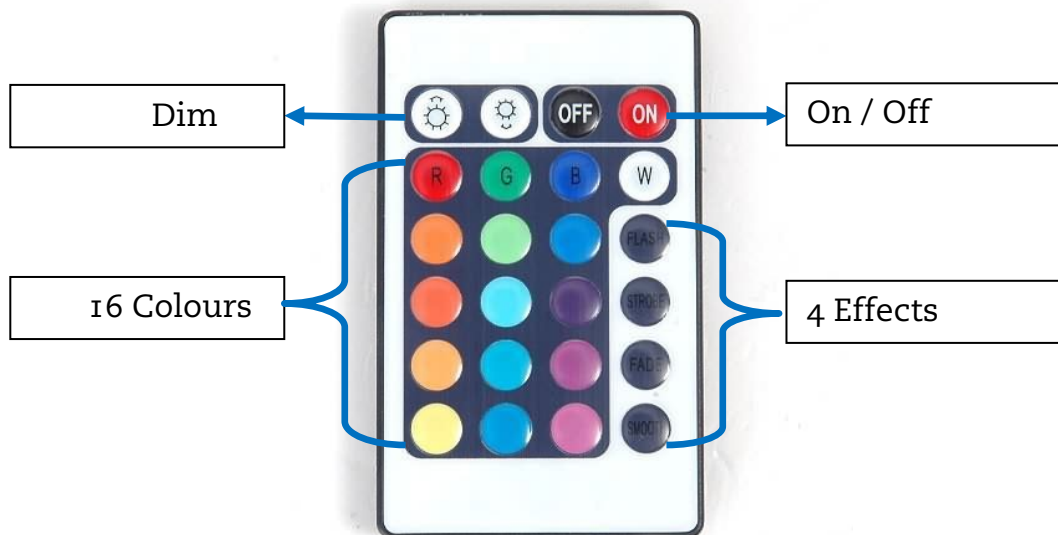
**At the top, right side:** On / Off.

**At the top, left side:** To dim the light. If you use effects, you can control the speed / intensity of the light.

**Colour buttons:** you can choose directly out of 16 colours.

**At the bottom, right side:** choose from 4 preset effects, for example „colour change“ (please note: you cannot control the light intensity while using the effects).

**Battery type:** CR2032.



## Scales

Please read the instruction manual of the manufacturer ADE.

## Power supply



Here you can plug in the stove, a hand blender or a stereo. A central helix cable ensures power supply and can be stored away in the base. It is plugged in into your normal 230V power socket.

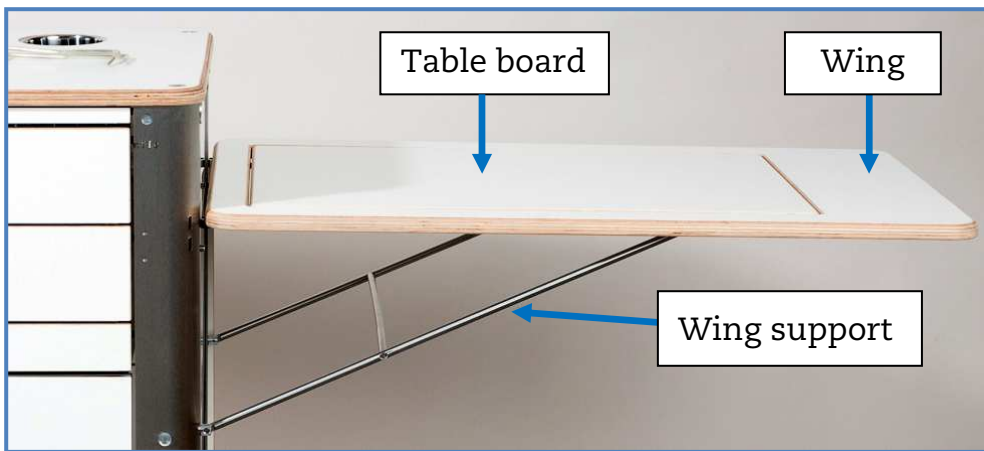
The maximum power is **3,5 kW** (3.500 watts).

Please note: the electric stove has a power of up to 3,0 kW. The lighting has a power of less than 10 watt.

Do not use more electrical equipment if the needed power is more than 3,5 kW.

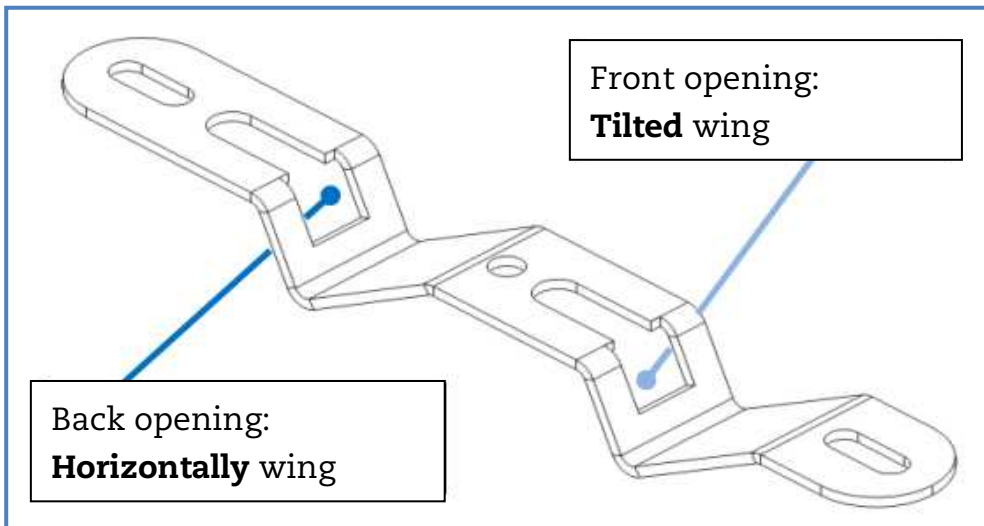
## Wings

flix Live is equipped with fold-out, multi-functional wings at three of the four sides. According to your wishes, flix Live turns into a powerful kitchen, a show kitchen, a BBQ station or into an elegant buffet.



The wings can be fixed **horizontally** or **tilted**.

Underneath each wing are situated 2 special metal fittings. Each has 2 small openings.



The wing support hooks into this openings.

## Horizontally wing



Fit in the wing support into the back openings. The wing can be used as table area now.



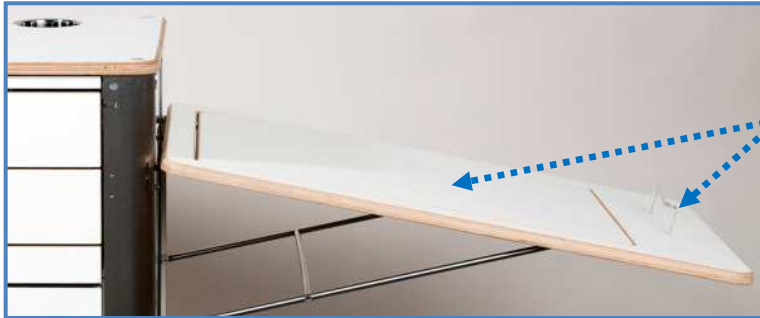
**Additional equipment:** take out the **table board**, which is fixed by high-power magnets. Then the wing offers space for GastroNorm (GN) sized equipment:

- GN chopping station
- Stove, GN grill
- GN Chafing Dishes, GN boxes etc.

## Tilted Wing



Fit in the wing support into the front openings. The wing is fixed with a slope of ca. 10°.



**Plates on the tilted wing:** On the surface of the wing, 2 pairs of small holes are situated. With help from small steel-brackets your plates come to stand horizontally on the tilted wing.



## Fold in the wing

Lift up the wing support a little bit. The end of the wing support can then be unhooked. Now you can fold down the wing.



## Loading capacity

Each wing can be loaded with up to **20kg**.

Due to additional weights in the base flix Live does not tip over.

← **20 kg**

**Please note:** if you load heavily a single wing, make sure that:

- The load is not situated only at the end of the wing
- The rolls are turned outside (see picture)
- flix Live is standing on a flat surface



## Additional weights

**Three** solid bars of steel ensure that flix Classic always stands securely. If required, the bars can be taken out. Now Live Classic can be transported more easily.

**Taking out the weights:** Open the door of the cabinet. The knurled screw, which closes the door to the weights, must be unscrewed (circa 2 cm). Open the door, now the weights can separately be taken out.



## Accessories to insert into the wing GN chopping station



The chopping board, which is part of delivery, can be put directly into the wing.

### Parts:

- Chopping board
- Stainless steel frame for hanging in the wing
- 6 GN boxes with lid



With help of the frame, the 6 GN boxes can be placed underneath the chopping board.

**Storage mode (wing fold down):** The chopping board is fixed by high-power magnets in the wing and can remain here even if the wing is folded down. The GN boxes must be taken out, but the stainless steel frame can remain, too.



## Knife holder

The chopping board features an elegant slot to place the knives you are using. It is situated beneath the hole in the chopping board.



**Please note:** the stainless steel frame which is holding the plastic boxes, is provided with a **cutout**, where the knife holder is situated. If you can not insert the knife, please control if this cutout is situated at the right side. If not, please turn the frame.

## Stoves & grills

All types of stoves and grills are available for flix Live: Electric stove, induction, gas, charcoal grill, gas- or electric grill. More possibilities on request.



### Electric stove, induction stove

This stoves are delivered with a wooden frame, which fits directly into the wing of flix Live. The connection cable is led through the whole in the acrylic slice, the plug is plugged in the electrical sockets.



**Storage mode (wing fold down):** The frame and the stove is fixed by high-power magnets in the wing and can remain here even if the wing is folded down.



### Gas stove

The gas stove is delivered with a wooden frame, which fits directly into the wing of flix Live. The gas bottle can be stored in the cabinet of flix Live. The gas hose and the connection cable for the electric ignition is led through the whole in the acrylic slice.



### Storage mode (wing fold down):

The frame and the stove is fixed by high-power magnets in the wing and can remain here even if the wing is folded down. Please note that you have to take off the grid of the stove.

## GN charcoal grill

### Parts:

- Outer pan (without holes)
- Inner pan / coal pan (with holes)
- Stainless steel cooking grate and special grip
- Stainless steel wind screen
- Heat protector



**Insert the grill in flix Live:** Fit the outer pan directly into the wing. After that the coal pan is inserted, than the wind screen can be put on the grill. Now you can put the charcoal in the coal pan.



**Heat protector:** The lateral slices of flix Live consist of acryl, which can not stand big heat. For that reason there is an additional protector, made of stainless steel. It is placed between wing and acrylic slice (see picture).



**Cooking grate:** the cooking grate can be placed at the desired height with the help of the grip.

## GN gas grill

### Parts:

- Stainless steel wind screen (2 parts: base and upper part)
- Gas grill insert including drip plate
- Stainless steel cooking grate and special grip
- Instruction manual



**Insert the grill in fliX Live:** Put the base of the wind screen directly into the wing. Put the upper part of the wind screen (with the „fliX“ logotype) onto the base. Put the complete gas grill in the deepest slot of the upper part of the wind screen. Now the cooking grate can be placed at the desired height.

For connecting the gas grill with the bottle and for placing the angular sheets on the grill: please see the instruction manual of the grill.

## Gas connection

### Type of gas

Gas stove and gas grill are set to liquefied gas (propane, butane, 50 mbar). The gas stove includes nozzles from the manufacturer for conversion to municipal gas (20 mbar).

### Gas connection

Gas stove: Supplied without hose. The stove has a threaded socket (1/2" (1/2 inch) for connection (Right Male thread). For liquefied gas, an adapter for the orange gas hose is attached to this thread (these usually have a 1/4" Left Female thread). For liquid gas you need an adapter with 1/2" Right Female and 1/4" Left Male thread.

Gas grill: Supplied with hose (but without pressure reducer). For connection to the gas cylinder a screw nut (1/4" Left Female) is used.



## Cooking utensil holder

The tool holder is fixed by two knurled screws at any of the sides of flix Live. The toolbar and four hooks are included within delivery of flix Live.



## Cutlery holder

The holder can be hooked into any of the four table legs – tool-less mounting. It is included within delivery of flix Live. The cutlery holder is not made only for cutlery. You can put other tools, the hand blender or anything else here.



## flix Live in the rain

During the „season“, there is no need to take flix Live indoors. It is sufficient to cover it with the weatherproof cover. In case you have the possibility, it is even better to place the kitchen under a shed. After the outdoor cooking season, it is recommended to take the kitchen indoors.

## Differences Classic – Camper

What are the differences between the two models Classic and Camper?

	Classic	Camper
<b>Size</b>		
Storage size, cm	100x48x46	100x48x48
Length of a wing, cm	72	62
Total length (fold out 2 wings), cm	187	167
Weight empty, kgs (without additional weights, without devices, with table boards)	45	35
Additional weights, kgs	3x (20 kgs)	2x (13,5 kgs)
Total weight, kgs (with additional weights)	65	48,5
<b>Basics</b>		
Wood colour	Pearl white/coffee brown	Coffee brown
Wheels	4x wheel / 2x wheel + 2x adjustable feet	2x wheel + 2x adjustable feet
Lighting	Decoration, multicolour	Working light, white
Sockets	5x	3x, waterproof
Drawer	4x	1x
<b>Accessories</b>		
Table board	3x	2x
GN water station	without	1x
GN chopping station	1x	1x
Stove / grill	1x (free choice)	Surcharge
Waage	1x	without
Spice jars	12x	7x
Oil & vinegar station	1x	without
Porcelain plates	4x	without
Cooking utensil holder	1x	1x
Cutlery holder	1x	1x